

READ AND KEEP THIS FOR FUTURE REFERENCE

Milwaukee

HEAVY-DUTY

DEMOLITION HAMMER



**CARE
AND
OPERATING
INSTRUCTIONS**

Cat. No. 5332

IMPORTANT-Before placing tool in operation, record the following information from name plate.

Model Number _____ Serial Number _____ Date of Purchase _____

Milwaukee
A
Amstar

MILWAUKEE ELECTRIC TOOL CORPORATION

13135 West Lisbon Road • Brookfield, Wisconsin 53005

THIS SYMBOL



IS YOUR ASSURANCE -

1. That every tool manufactured by MILWAUKEE is produced in accordance with applicable Standards for Safety of Underwriters' Laboratories and American National Standards (ANSI).
2. That compliance with applicable safety standards is assured by independent inspection and testing.
3. That every motorized tool manufactured by MILWAUKEE is fully inspected.
4. That every tool has with it adequate instructions and a list of safety rules for the protection of the user.

SAFETY INSTRUCTIONS FOR ALL POWER TOOLS

1. **KNOW YOUR POWER TOOL.** Read owner's manual carefully. Learn its applications and limitations as well as the specific potential hazards peculiar to this tool.
2. **GROUND ALL TOOLS—UNLESS DOUBLE-INSULATED.** If tool is equipped with three-prong plug, it should be plugged into a three-hole electrical receptacle. If adapter is used to accommodate two-pronged receptacle, the adapter wire must be attached to a known ground. Never remove third prong.
3. **KEEP GUARDS IN PLACE** and in working order.
4. **KEEP WORK AREA CLEAN.** Cluttered areas and benches invite accidents.
5. **AVOID DANGEROUS ENVIRONMENT.** Don't expose power tools to rain or use in damp, wet, or gaseous or explosive locations. Keep work area well lit.
6. **KEEP CHILDREN AWAY.** All visitors should be kept safe distance from work area.
7. **STORE IDLE TOOLS.** When not in use, tools should be stored in dry, high or locked-up place—out of reach of children.
8. **DON'T FORCE TOOL.** It will do the job better and safer at the rate for which it was designed.
9. **USE RIGHT TOOL.** Don't force small tool or attachment to do the job of a heavy-duty tool.
10. **WEAR PROPER APPAREL.** No loose clothing or jewelry to get caught in moving parts. Rubber gloves and footwear are recommended when working outdoors.
11. **USE SAFETY GLASSES** with most tools. Also face or dust mask if cutting operation is dusty.
12. **DON'T ABUSE CORD.** Never carry tool by cord or yank it to disconnect from receptacle. Keep cord from heat, oil and sharp edges.
13. **SECURE WORK.** Use clamps or a vise to hold work. It's safer than using your hand and it frees both hands to operate tool.
14. **DON'T OVERREACH.** Keep proper footing and balance at all times.
15. **MAINTAIN TOOLS WITH CARE.** Keep tools sharp and clean at all times for best and safest performance. Follow instructions for lubricating and changing accessories. **CAUTION:** Do not use carbon tetrachloride.
16. **DISCONNECT TOOLS.** When not in use, before servicing; when changing accessories such as blades, bits, cutters, etc.

17. **REMOVE ADJUSTING KEYS AND WRENCHES.** Form habit of checking to see that keys and adjusting wrenches are removed from tool before turning it on.
18. **AVOID ACCIDENTAL STARTING.** Don't carry plugged-in tool with finger on switch. Be sure switch is off when plugged in.
19. **WEAR EAR PROTECTORS** when using for extended periods.
20. **ACCESSORIES.** The use of any accessories other than those listed or recommended for this particular tool may be hazardous.
21. **KEEP HANDS AWAY FROM CUTTING EDGES AND ALL MOVING PARTS.**
22. **USE INSULATED SURFACES.** A double insulated or grounded tool may be made live if the blade or bit comes in contact with live wiring in a wall, floor, ceiling, etc. Always check the work area for live wires and hold the tool by the insulated surfaces when making "blind" or plunge cuts.
23. **GRINDING WHEELS.** Use only grinding wheels with "Safe Speed" at least as high as "No Load RPM" marked on the name plate.

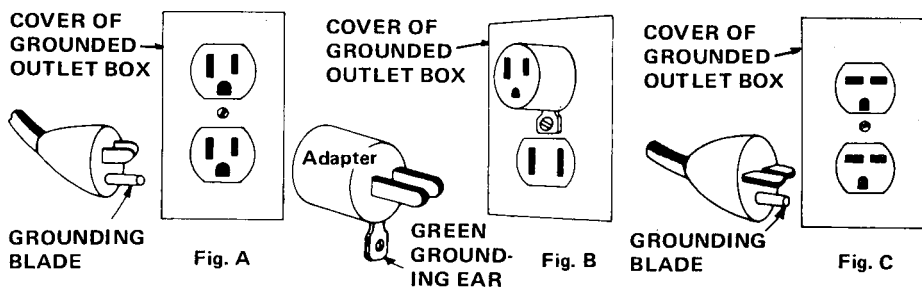
GROUNDING INSTRUCTIONS

This tool must be grounded while in use to protect the operator from electric shock. The tool is equipped with an approved three-conductor cord and three-prong grounding-type plug to fit the proper grounding-type receptacle. The green conductor in the cord is the grounding wire. Never connect the green wire to a live terminal. If your unit is for use on less than 150 volts, it has a plug that looks like Fig. "A". If it is for use on 150 to 250 volts, it has a plug that looks like Fig. "C".

NOTE

The use of 3-prong adapters in Canada is prohibited by the Canadian Electrical Code.

An adapter, Fig. "B" is available for connecting Fig. "A" plugs to two-prong receptacles. The green grounding ear extending from the adapter must be connected to a permanent ground such as to properly grounded outlet box. No adapter is available for Fig. "C" plugs.



NOTE: RECEPTACLE MUST BE GROUNDED FOR SAFE USE OF ADAPTER; IF IN DOUBT CALL A QUALIFIED ELECTRICIAN AND HAVE THE RECEPTACLE CHECKED FOR GROUND.

EXTENSION CORDS

Use only three-wire extension cords which have three-prong grounding-type plugs and three-pole receptacles which accept the tool's plug. Replace or repair damaged cords.

EXTENSION CORD CHART

When an extension cord is used, it should also be a 3 wire cord to permit proper grounding of the tool. As the distance from the supply outlet increases, heavier gauge extensions are required. The use of extension cords of inadequate size wire causes a serious drop in voltage, loss of power and possible motor damage. This table is based on limiting line voltage drop to 5 volts at 150% of rated amperes.

Ampere rating (on Nameplate)	0- 2,00	2,10- 3,4	3,5- 5,00	5,10- 7,0	7,10- 12,0	12,1- 16,0	
Ext. Cable Length	Wire Size						
25 Ft.	18	18	18	18	16	14	Not normally available as flexible extension cord.
50 Ft.	18	18	18	16	14	12	
75 Ft.	18	18	16	14	12	10	
100 Ft.	18	16	14	12	10	8	
150 Ft.	16	14	12	12	8	8	
200 Ft.	16	14	12	10	8	6	
300 Ft.	14	12	10	8	6	4	
400 Ft.	12	10	8	6	4	4	
500 Ft.	12	10	8	6	4	2	
600 Ft.	10	8	6	4	2	2	
800 Ft.	10	8	6	4	2	1	
1000 Ft.	8	6	4	2	1	0	

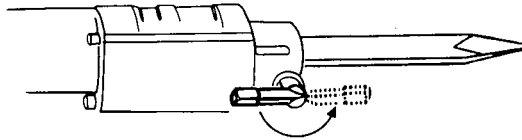
IF USING EXTENSION CORD OUT OF DOORS, BE SURE IT IS RATED FOR OUTDOOR USE.

OPERATION – Hammering

CAUTION - Wear Safety Glasses When Operating Tool

The MILWAUKEE Demolition Hammer may be used for demolition, drilling holes in concrete and other applications requiring hammering action. The pipe handle is provided for added convenience of operation. When the pipe handle is inserted into top handle of hammer, accurate control is obtained for vertical work. For horizontal work, insert pipe handle on the side.

To insert bit, turn locking lever down toward the end of hammer. Place bit in end and push in as far as it will go. Turn locking lever up toward the handle to secure bit. Place bit on surface to be broken, depress switch to turn tool ON, release to turn OFF.



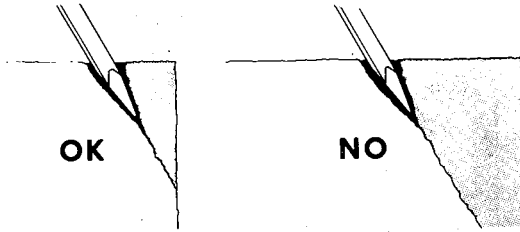
When hammering or breaking concrete on a level surface, apply approximately 6 to 10 lbs. of force to the weight of the hammer. Excessive force inhibits the operation. Allow the hammer to do the work.

When breaking through a wall, etc., exert more force to compensate for the weight of the tool.

When breaking large areas of concrete, etc., work from a corner or close to the edge of the work, breaking small areas at a time rather than attempting too large an area.

OPERATION - (Hammering Cont.)

Do not attempt to break off very large pieces at one time.

**Drilling**

When drilling holes with star drills, swing the turning handle (Cat. No. 49-15-0300) in an arc of between 100° and 120° approximately 30 times per minute. This will prevent binding and remove the cuttings.

MAINTENANCE

All servicing other than recommended must be done by an Authorized Milwaukee Service Station.

The MILWAUKEE Demolition Hammer is lubricated at the factory. After every 20 hours of operation the hammer assembly should be relubricated. At this time the brushes will be worn down to $3/8''$ and will require replacement. Use the MILWAUKEE Lubrication Brush Kit for regular maintenance.

LUBRICATION BRUSH KIT - Part No. 14-46-0170. Includes Carbon Brush Assemblies, Brush Retaining Screws, Brush Cap Gaskets, O-Ring, Type F Grease, and Lubricating Instructions.

Failure of the motor to start or to operate efficiently can usually be attributed to worn or damaged brushes, brushes sticking in the holders and failing to make proper contact with the commutator, or to the commutator being dirty or rough. Regular inspection of brushes and the commutator is recommended.

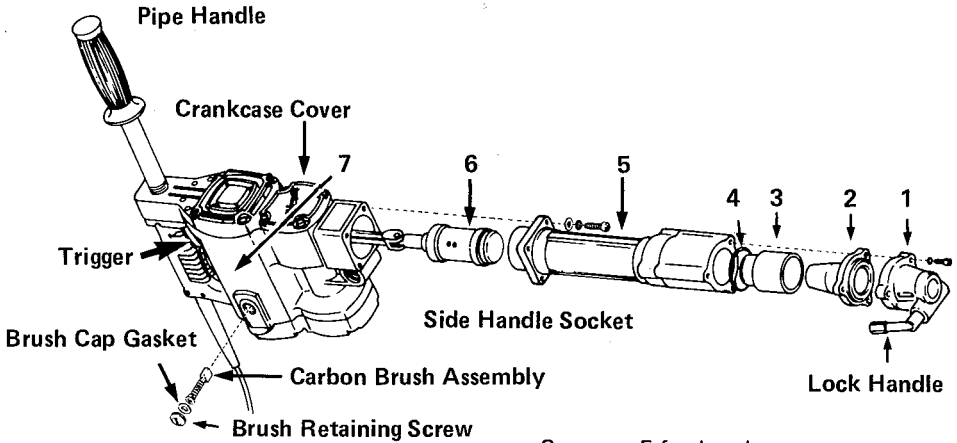
BRUSH INSPECTION**UNPLUG TOOL**

To inspect the brushes, unplug tool and unscrew brush retaining screws located on the motor housing. Pull out brush cap gaskets and brush assemblies (See page 6 for illustration).

Replace brushes when worn down to $3/8''$. Always replace both brushes at the same time. When inspecting brushes check the commutator for wear. If badly worn, send complete tool to a MILWAUKEE Service Center or Authorized Service Station for undercutting and dressing of the commutator. Insert new brush assemblies, brush cap gaskets, and brush retaining screws. Tighten brush retaining screws securely to 14-16 in-lbs torque.

The MILWAUKEE Electric Tool Corporation assumes no responsibility for any damage or accidents resulting from the use or misapplication of this tool or the nonadherence to precautionary safety measures.

LUBRICATION OF HAMMER ASSEMBLY



UNPLUG TOOL

See page 5 for brush replacement instructions

- a) Remove Screws holding nose piece (1).
- b) Remove nose piece and bit guide (2).
- c) Remove screws holding barrel assembly (5).
- d) Remove barrel assembly taking care not to contaminate the ram assembly (6), and push out the striker (3).
- e) Remove O-Ring (4) and remove excess grease from ram and barrel. Lubricate a new O-Ring and insert in barrel.
- f) Spread a thin film of grease on the taper of the bit guide (2).
- g) Use 1/2 tube of grease on the ram assembly (6), making sure that some lubricant is placed into the ports. Move ram assembly back and forth to assure good distribution of the grease inside. Be sure all inside and outside parts of the ram assembly are covered with lubricant.
- h) Put remaining lubricant in barrel (5) and screw barrel to motor housing (7) using 18-20 ft - lbs. torque.
- i) Install the striker (3), bit guide (2), nose piece (1) and screw the assembly together using 27-30 ft - lbs torque.

Lubrication of the gearcase should be done only at an Authorized MILWAUKEE Service Station after every 150 hours of running time.

USE ONLY IDENTICAL REPLACEMENT PARTS

Parts List Available On Request.

When ordering, include Catalog No. and Serial No. of Tool.

Write: MILWAUKEE ELECTRIC TOOL CORP. SERVICE DEPT.
13135 W. Lisbon Rd. Brookfield, WI. 53005

USE OF HAMMER TOOLS

Bull Point - The Bull Point, 12" Cat. No. 48-62-0165 and 20" Cat. No. 48-62-0175 is used for general demolition work. It will break the work in a random pattern, and is used most effectively to break the work from a corner or edge into an open area.

Cold Chisel - The Cold Chisel, 12" Cat. No. 48-62-0065 and 20" Cat. No. 48-62-0075 is also used for demolition work. Since it produces a break along its edge, it is most effectively used for chipping, trimming and edging previously broken work. It can also be used effectively for channeling and grooving.

Scaling Chisel - The Scaling Chisel, Cat. No. 48-62-0155, is used for removing scale, concrete and weld spatter. Other uses include trimming, edging, and when sharpened, it can be used for log splitting.

Slotting Tool - The Slotting Tool, Cat. No. 48-62-0225, is used primarily for producing narrow, controlled slots in concrete. This includes slots to break the web between drilled holes when making a large opening in walls. It can also be used when widening cracks in repair work.

Frost Spade - The Frost Spade, Cat. No. 48-62-0350, is used for breaking frozen ground. It can also be used to break blacktop and asphalt.

Bushing Tool - The Bushing Tool, Cat. No. 48-62-0900, and replacement Bushing Tool Head, Cat. No. 48-62-0910, are used to surface concrete. Depending on penetration, the tool can remove sufficient material on improperly finished concrete work in preparation for a new top-coat, or simply roughen a slippery surface.

Clay Spade - The Clay Spade, Cat. No. 48-62-1000, is used for digging and trenching in clay and dirt. It quickly loosens clay and other firmly compacted dirt, allowing easy removal by shovel.

Ground Rod Driver - The Ground Rod Driver, Cat. No. 48-62-6000, can drive either 5/8" or 3/4" electrical grounding rods. It will also drive pipe, conduit, posts, spikes, etc. into clay, earth and wood.

STAR DRILLS

Dimensions	Cat. No.
1" x 18"	48-88-1003
1-1/8" x 18"	48-88-1122
1-1/4" x 18"	48-88-1250
1-3/8" x 18"	48-88-1375
1-1/2" x 18"	48-88-1500
1-3/4" x 18"	48-88-1750
2" x 18"	48-88-2000
2-1/2" x 18"	48-88-2500

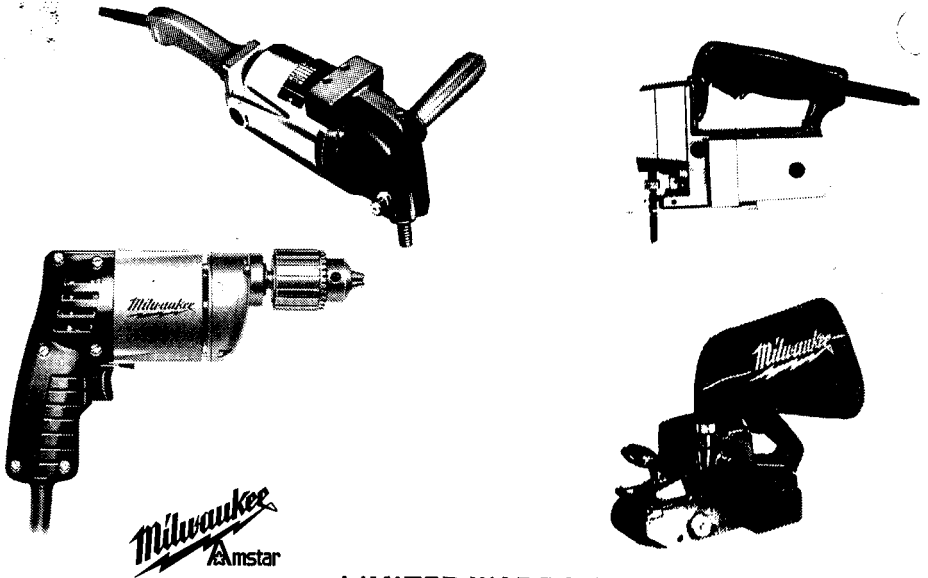
Carrying Case
Cat. No. 48-55-0725

The Star Drills are used for drilling holes in concrete. The star drills provide a means for rapidly drilling holes in concrete from 1" diameter through 2-1/2" diameter.

Turning Handle
Cat. No. 49-15-0300
For use with Star Drills



HEAVY-DUTY TOOLS FOR CONTRACTORS & INDUSTRY

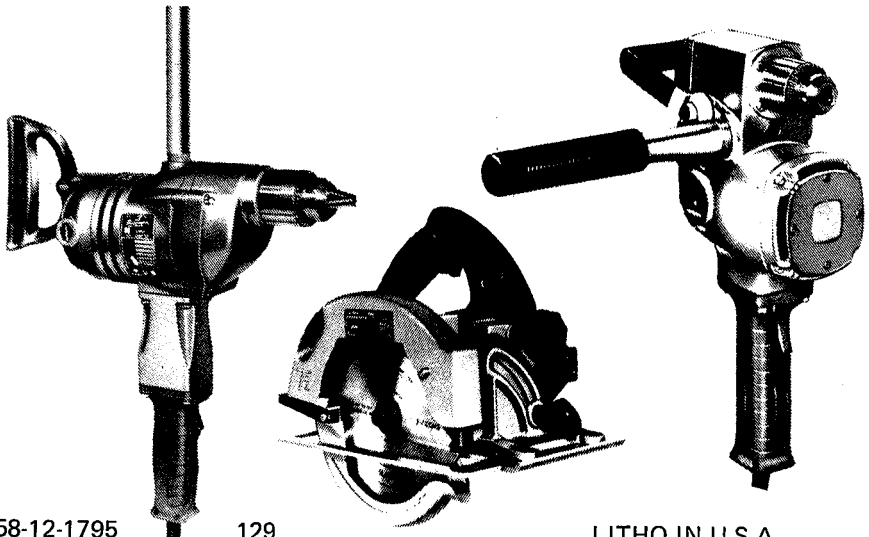


Milwaukee
A Amstar

LIMITED WARRANTY

Every MILWAUKEE Tool is thoroughly inspected and tested before leaving the factory. Should any trouble develop, return the complete tool prepaid to the Factory, Branch or nearest Authorized MILWAUKEE Service Station. If inspection shows the trouble is caused by defective workmanship or material, all repairs will be made without charge and the tool will be returned, transportation prepaid.

This warranty does not apply where: (1) repairs or attempted repairs have been made by persons other than Factory, Branch or Authorized Service Station personnel; (2) repairs are required because of normal wear; (3) the tool has been abused or involved in an accident; (4) misuse is evident such as caused by overloading the tool beyond its rated capacity; (5) the tool has been used after partial failure or (6) the tool has been used with an improper accessory. No other warranty written or verbal, is authorized.



58-12-1795

129

LITHO IN U.S.A.